

#6-1811: 38" SNOW THROWER ATTACHMENT UPDATE KIT for ALL SERIES "C" LAWN TRACTORS

INTRODUCTION: This Kit was designed to fit your SNAPPER one-piece frame Lawn Tractor. Its purpose is to update the 38" snowthrower attachment (Kit # 8-0560) to work on series "C" tractors.

Follow the illustrations below which show the proper procedure for installing this Kit.

IMPORTANT: To engage the auger drive, pull the blade switch to the "on" position.

NOTE: The blower augers and impeller will begin rotation when the blade switch is in the "on" position.

Proceed as follows:

INSTALLATION INSTRUCTIONS:

STEP 1: Place the frame reinforcement weldment (use the one provided in this kit) on the back of the tractor frame as shown in Figure 1. Drill a 3/8" hole at the *bottom* of each slot. Then, attach to the inside of the frame using the hardware provided. See Figure 2.

NOTE: The frame reinforcement must be clamped securely against the bottom of the frame before tightening bolts.

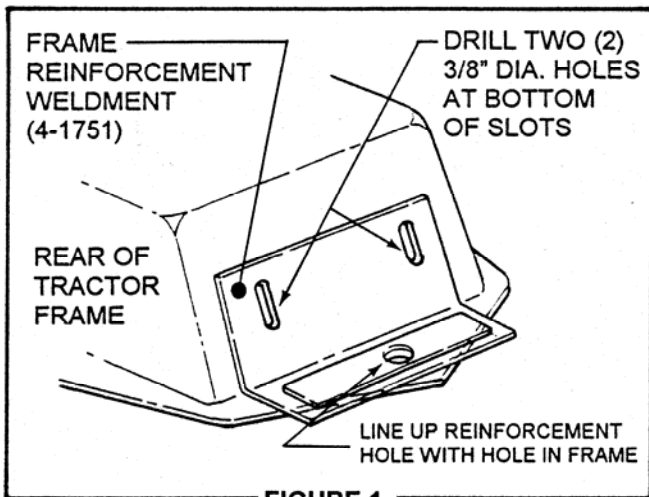


FIGURE 1.
DRILLING MOUNTING HOLES FOR FRAME REINFORCEMENT

STEP 2: Uncrate snowthrower, (note: refer to the snowthrower operator's manual, part number 2-7861, for instructions on removing the snowthrower from the crate) and lay unit so that blower shaft points upward. See Figure 3. Unhook spring from corner of lift bracket structure and remove from attachment hole in idler arm. See Figure 3. *Do not discard spring as it will be used in step 5.*

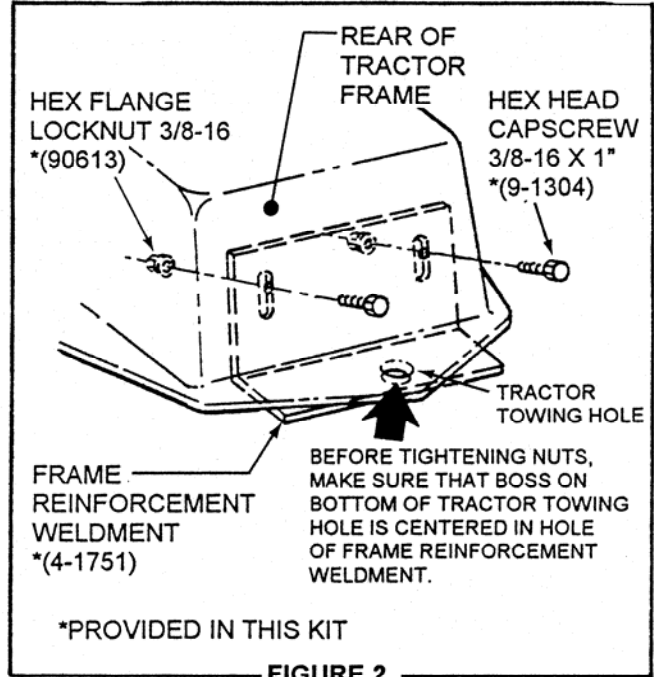


FIGURE 2.
INSTALLING REINFORCEMENT PLATE

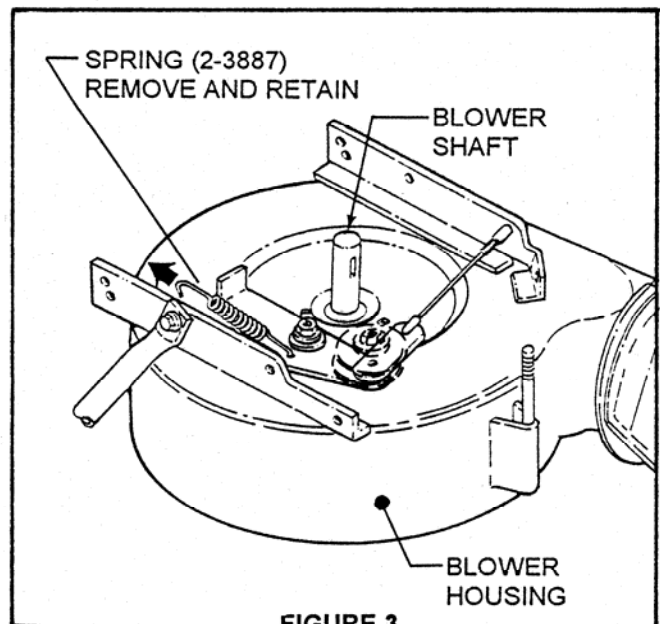


FIGURE 3.
REMOVAL OF SPRING

STEP 3: Remove self-tap screw from control cable, part number 2-3628. Discard control cable, re-insert and tighten self-tap screw. See Figure 4.

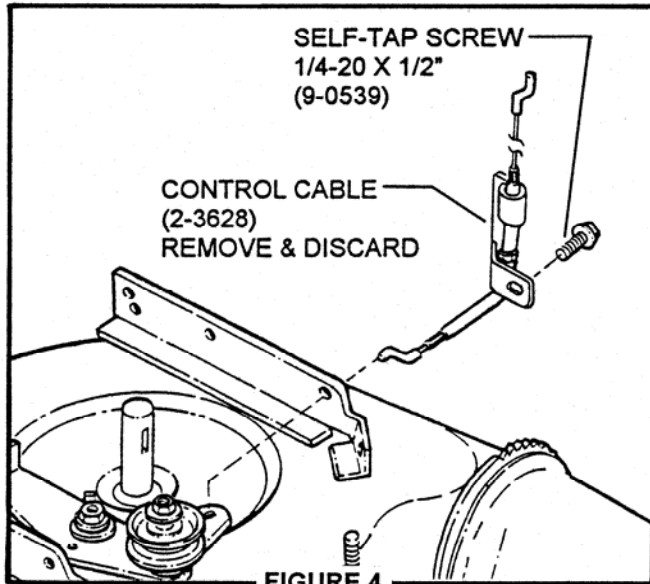


FIGURE 4.
REMOVAL OF CONTROL CABLE

STEP 4: Cut out the template in this manual and make a 3/16" wide x 7/16" long slot in the angle bracket on the blower housing. See Figure 5.

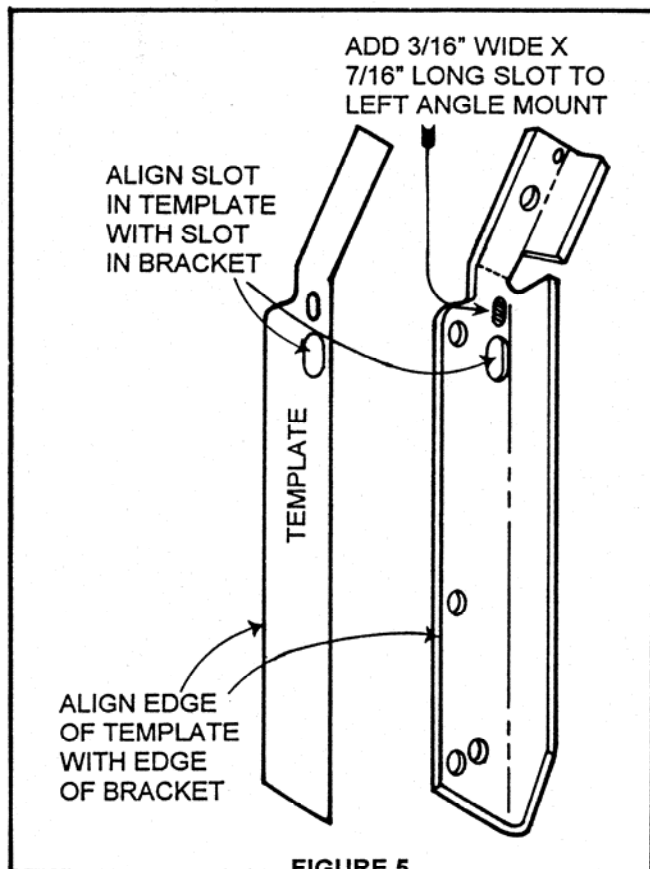


FIGURE 5.
ADD NEW SLOT

STEP 5: Install the spring removed in step 2 in its new location shown in Figure 6.

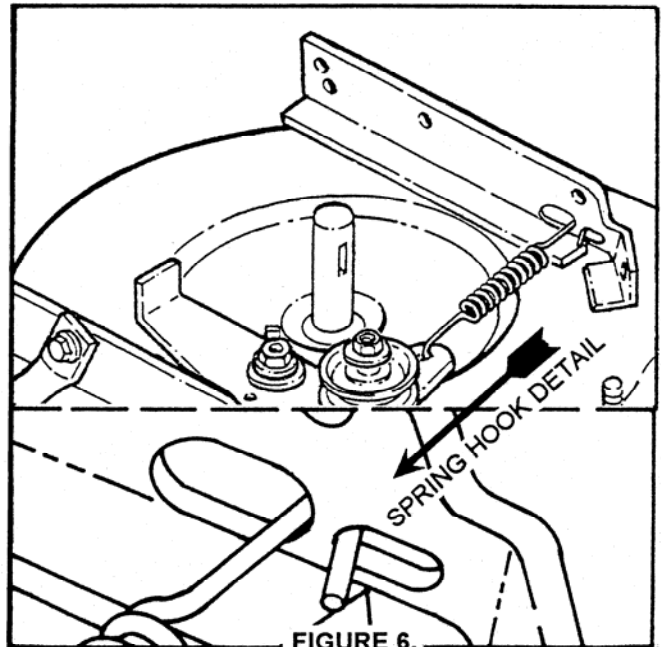


FIGURE 6.
SPRING INSTALLATION

STEP 6: Remove pivot bracket and associated fasteners from hitch and discard. See Figure 7.

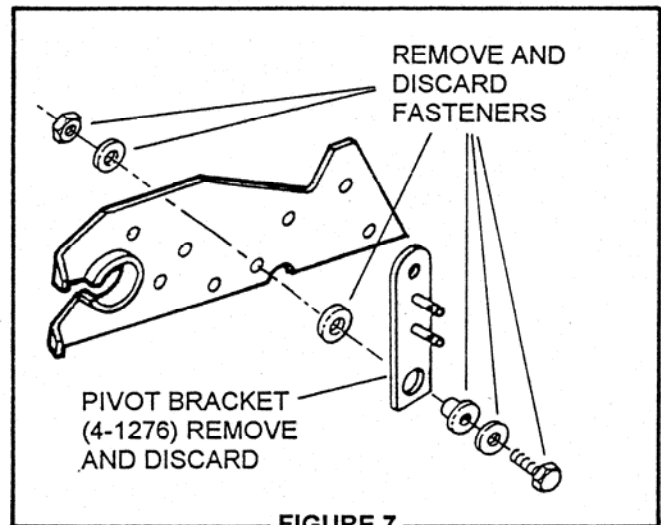


FIGURE 7
REMOVAL OF PIVOT BRACKET

STEP 7: Remove control cable from support assembly and discard along with fasteners.

Note that the control cable can be detached from "pigtail" cable guide without removing the guide. See Figure 8.

THIS AREA LEFT INTENTIONALLY BLANK

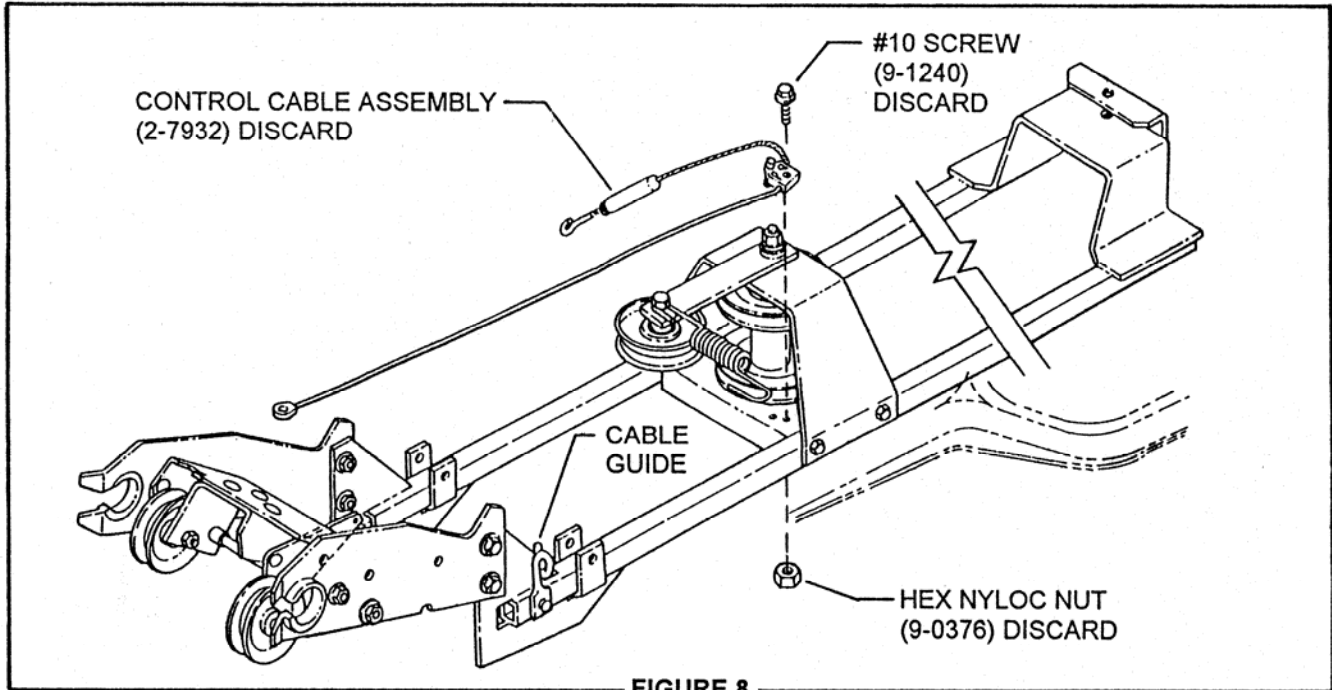


FIGURE 8
SUPPORT ASSEMBLY

STEP 8: (This step is only required for the 16HP, 42" tractor. For all other models proceed directly to step 9). Align the bottom edge of the upper hitch plate (provided in this kit) with the bottom edge of the hitch plate on the support assembly. See Figure 9. Using the upper hitch plate as a template, drill two 3/8" holes into the support assembly. Install upper hitch plate with the hardware provided in this kit and shown in Figure 10.

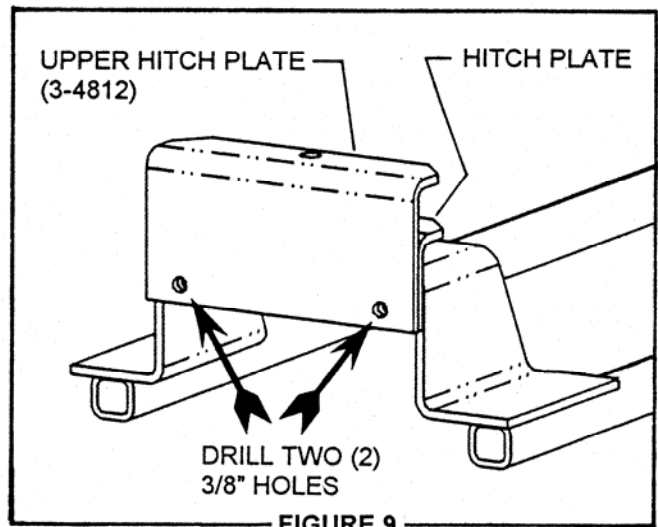
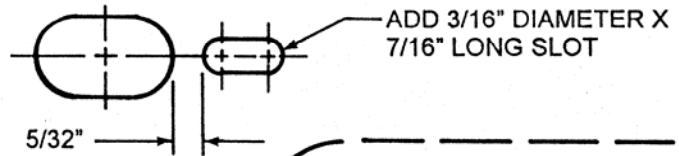


FIGURE 9
DRILLING HOLES FOR UPPER HITCH PLATE

TEMPLATE FOR 6-1811 SNOWTHROWER UPDATE KIT



(FULL SIZE; FOR USE IN STEP 4)

CUT OUT

STEP 9: The hitch should now be installed to the tractor frame as shown in Figure 10.

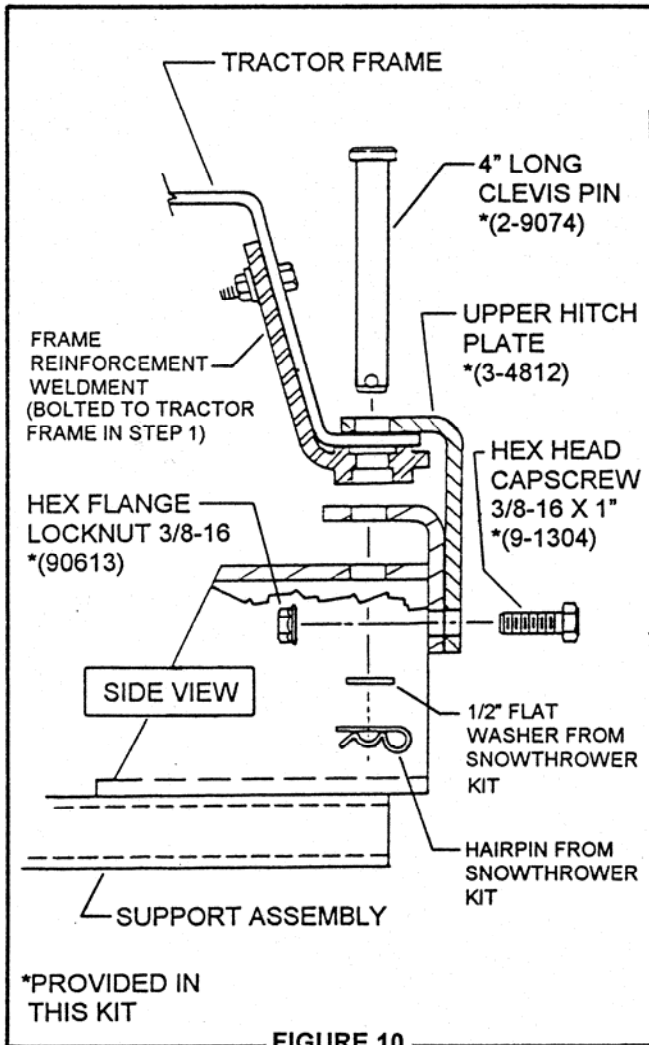


FIGURE 10
HITCH MOUNT DETAIL

PARTS LIST

ITEM	PART NO.	DESCRIPTION
1	3-4812	PLATE, Upper Hitch
2	4-1751	WELDMENT, Frame Reinforcement
3	6-1813	BAG, Hardware 6-1811
4	9-1304	SCREW, 3/8-16 x1" Hex Hd (4)
5	9-0613	NUT, 3/8-16 Hex Lock (4)
6	2-9704	PIN, 1/2 x 4" Hitch Clevis

SNAPPER McDonough, GA., 30253 U.S.A.